

Rock™ Source

Compact Single-frequency Benchtop Fiber Laser Source

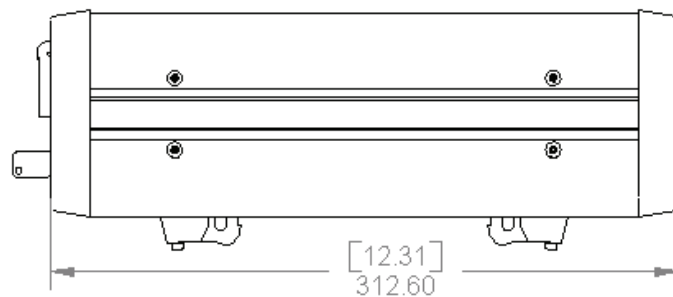
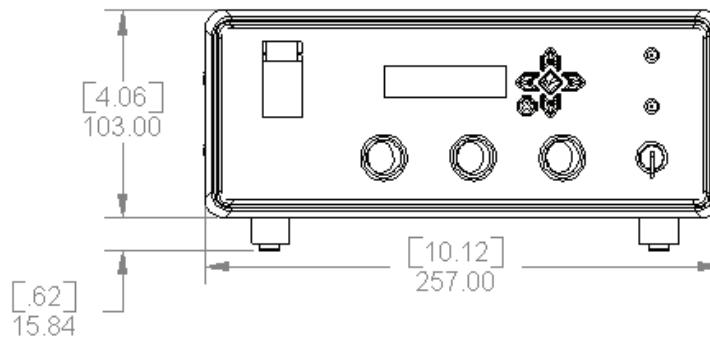


Features

- Narrow Linewidth <700Hz
- Ultra-Low Phase-Noise
- Excellent Frequency Stability
- Broad Mode-Hop-Free Tunability
- Comprehensive, User-Friendly Interface
- Low Sensitivity to Acoustic Noise

Mechanical Outline:

Rock Source



Performance | Reliability | Innovation

Parameter	Rock Module 1.5 micron	Rock Module ULTRA 1.5 micron	Rock Module 1 micron
Center Wavelength Range (nm) ¹	1530-1565	1530-1565	1030-1075
Laser Emission		CW - single frequency	
Output Power (mW) ²	25, 50, 80, 100, 125	25, 40, 80	25, 50, 80, 100, 125
Line Width (120 μsec ³) (kHz)	<3kHz for ≤50mW <5kHz for ≥80mW	<700Hz	<5kHz
Beam Quality		M ² < 1.05	
Frequency Stability (MHz) ⁴		20MHz	
RIN-Peak Frequency (MHz)		~0.5 - 1	
Optical S/N (dB) (50 pm resolution bandwidth) ⁵		>75dB	
PM output		Standard	
Thermal tuning		Standard	
Thermal Tuning Range ⁶	>60GHz (480pm)	>60GHz (480pm)	>66GHz (250pm)
Fast Piezo Tuning Capability ⁷		Optional	
Piezo-electric Tuning Range - Internal Driver		+/-200MHz	
Piezo-electric Tuning Range - External Driver - Optional ⁸		8GHz ⁹	
Piezo-electric Modulation Frequency ¹⁰ (kHz)		up to 40kHz	
Calibrated Power Monitor		Standard	
Signal to ASE Noise (Integrated)		35dB	
Side Mode Suppression Ratio		>50dB	
Operating Temperature (degrees C)		-10 to 35	
Wavelength Set Resolution		50MHz	
Power Stability (% RMS) ¹¹		0.12	
Absolute Wavelength Accuracy		+/-8pm	
Polarization Extinction Ratio	>23dB	>23dB	>20dB
Frequency-noise (Hz/√Hz)		150@10Hz 45@100Hz 18@1kHz 5@10kHz 0.9@300kHz	
Phase-noise (μrad/√Hz) 1m opt. Path		4.6@10Hz 1.4@100Hz 0.6@1kHz 0.2@10kHz <0.1@300kHz	
RIN level (dB/Hz)		-125@0.3MHz <-140@10MHz <-155@100MHz	
RIN Level at peak (dB/Hz)	<-110dB/Hz @ PEAK	<-115dB/Hz @ PEAK	<-100dB/Hz @ PEAK
Power Tuning (optional) ¹²	10%-100% max output	10%-100% max output	

FOOTNOTES

- Wavelength selectable from range. Other wavelengths available.
- Other power levels available
- Linewidth based on self-heterodyne measurement with 120μs delay line.
- Over 1 hour with base temperature constant within 0.2 degrees C after a 30 minute warm-up
- ~80dB typical
- Continuous mode-hop-free tuning range operating with a case temperature of 25 degrees C
- Internal PZT driver included (+/-10V)
- External PZT drive required -20 to +65V
- 64pm @ 1550nm / 30pm @ 1064nm
- External signal required to reach 40kHz. Up to 14kHz @ 3dB bandwidth for internal driver
- <0.1% RMS in current mode
- Can modulate the output (e.g. sawtooth, sinewave) up to 1kHz bandwidth with no impact on laser performance

Ordering Example: RFLM-100-0-1550.92-U-0, Rock Fiber Laser Source, 100mW, No Tunability, 1550.92nm, <700Hz and no power tuning

Power		Code		Tunability		Code		Wavelength		Code		Linewidth		Code		Power Tuning		Code			
25mW	25	50mW	50	None	0	Standard	15xx.xx	<700Hz	U	Yes	V	80mW	80	Modulation	2	Or ITU Grid	Hxx/Cxx	Standard	S	No	0
100mW	100	125mW	125	Tuning & Modulation	3	Generic C-Band	C														

NP Photonics Rock Laser Modules are protected by a 12 month warranty. All components and assemblies are unconditionally warranted to be free of defects in workmanship and materials for the warranty period, beginning from the date of shipment. This warranty is in lieu of all other warranties, expressed or implied, and does not cover incidental or consequential loss. This warranty does not apply to devices damaged due to operating conditions outside of the specified parameters. Modified warranties for OEM customers are available.



NP Photonics, Inc.
9030 S. Rita Road, Suite 120 - Tucson, AZ 85747 - USA
Phone: 520-799-7400 Fax: 520-799-7403
E-mail: info@npphotonics.com www.npphotonics.com

